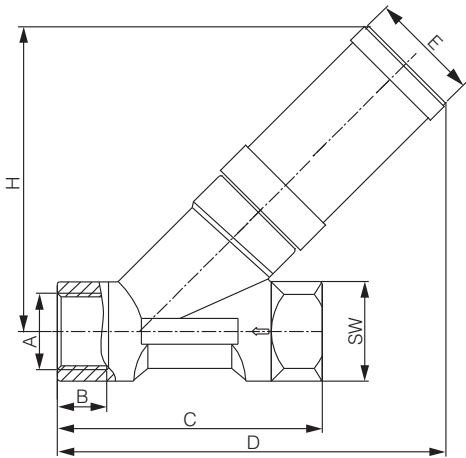


Specifications

Model Specification	Normally Closed	P015NC	P020NC	P025NC	P032NC	P040NC	P050NC
	Normally Open	P015NO	P020NO	P025NO	P032NO	P040NO	P050NO
Material of body	S.S304/316/316L for body, Aluminium for stem and actuator, S.S is optional.						
Operating method	Plunger pilot						
Ambient and fluid	Air, Water, Oil, Liquefied gas, Free-running viscosity liquid						
Port size	G1/2"	G3/4"	G1"	G1 1/4"	G1 1/2"	G2"	
Nominal diameter (mm)	13	16	22	32	35	45	
Kv (m³/h)	4	5	10	20	33	42	
Pressure range (Mpa)	0~0.8	0~0.8	0~0.8	0~0.8	0~0.8	0~0.8	
Min. control pressure (Mpa)	0.30	0.30	0.32	0.30	0.35	0.32	
Medium temp.	NBR for -10~80°C and EPDM, VITON for -10~150°C						

Dimensions

PV800A Series



Port size	DN(mm)	Actuator(mm)	A	B	C	D	E	H	SW
1/2"	DN15	25	G1/2"	14	76	109	30	98	27
3/4"	DN20	32	G3/4"	16	92	115	37	100	32
1"	DN25	32	G1"	21	103	127	37	104	40
1-1/4"	DN32	40	G1-1/4"	19	112	168	45	160	50
1-1/2"	DN40	50	G1-1/2"	21	129	129	55	160	56
2"	DN50	63	G2"	27	143	143	68	160	68

PV1527 Series Angle Seat Valve(Piston Valve/27mm Actuator)



PV1527-A

PV1527-B

Product feature

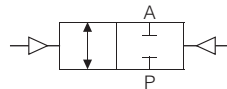
2/2-way Angle-Seat Valve
Pneumatically Operated, for medium up to +120°C, Stainless steel Actuator Dia 27mm female threaded port Connection, DN15

1. Design compact style 2/2-way stainless steel valve;
2. Movable seat & V type seals ensure reliable and effective performance;
3. Valve in Y type installation and horizontal installation is optional;
4. Double acting NC and double acting liberty is optional.

Symbol

Control function I

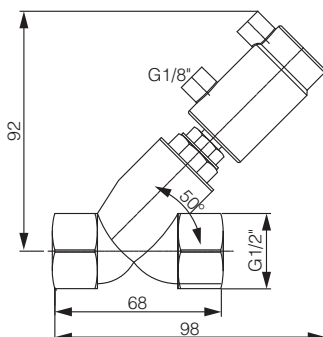
(double-acting actuator)



Dimensions

Y-type filling valve

PV1527-A



filling valve (Horizontal installation)

PV1527-B

