

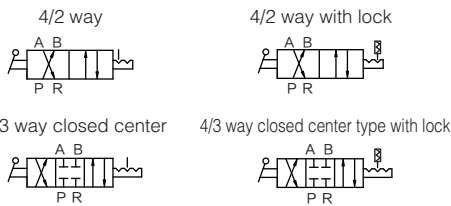


Specification

Model	4HV2□□ -06(L)	4HV2□□ -08(L)	4HV3□□ -08(L)	4HV3□□ -10(L)	4HV4□□ -15(L)	4HV4□□ -20(L)
Fluid	Air (to be filtered by 40 μm filter element)					
Operating	Manual control direct acting type					
Port size ①	PT1/8	PT1/4	PT1/4	PT3/8	PT1/2	PT3/4
Orifice size	14.0mm ² (Cv=0.78)	16.0mm ² (Cv=0.89)	30.0mm ² (Cv=1.67)	33.0mm ² (Cv=1.83)	88.0mm ² (Cv=4.89)	95.0mm ² (Cv=5.27)
Valve type	4/2 Way, 4/3 Way					
Lubrication	Not required					
Pressure range	0~1.0MPa(0~145psi)					
Proof pressure	1.5MPa(215psi)					
Temperature	-20~70℃					
Operating angle	90° (4/3 Way: 45°)					

① PT thread, G thread and NPT thread are available.

Symbol



Product feature

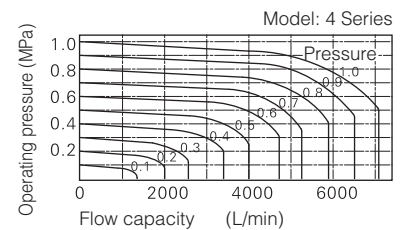
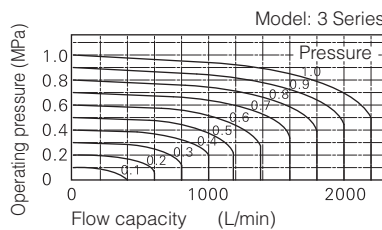
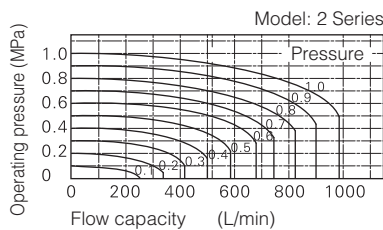
1. The direction-change turns lightly with good hand feeling and exact orientation.
2. Large effective circulating area leads to little pressure loss.
3. Panel and body installation are optional, The panel installation can be attached with installing nut.

Ordering code

Model	Code	Valve type	Port size	Installation	Note	Thread type
4HV Hand lever valve	2 200 Series	10 4 port 2 position	Code Port size	Blank Body installation	Blank Without lock	Blank PT
	3 300 Series	30 4 port 3 position ①	200 Series 06 1/8"	S Panel installation ②	L With lock	G G
	4 400 Series		08 1/4"			T NPT
			300 Series 08 1/4"			
			10 3/8"			
			400 Series 15 1/2"			
			20 3/4"			

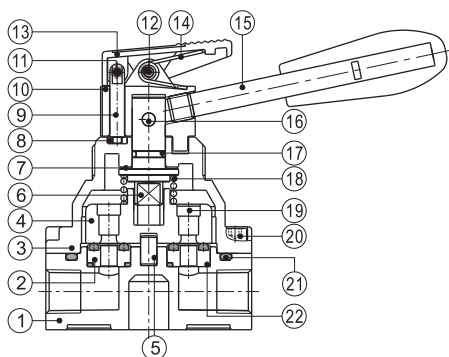
- ① 4 port 3 position only has closed center type.
② The panel installation can be attached with installing nut.

Flow chart



Inner structure

4HVL

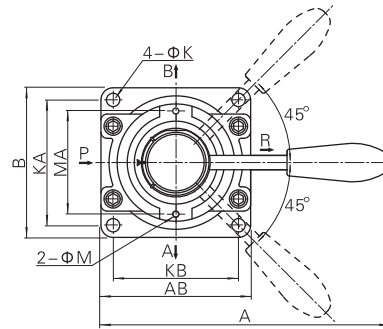
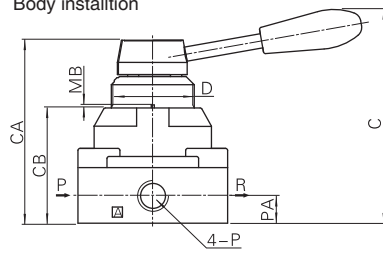


No.	Item	No.	Item	No.	Item
1	Bogy	9	Lock pin	17	Shaft O-ring
2	Seal base	10	Valve cap	18	Spring
3	Valve cover	11	Spring pin	19	Iron plate
4	Valve plug	12	Pin one	20	Fixing screw
5	Column pin	13	Front cover	21	Body O-ring
6	Shaft	14	Spring	22	Seal base O-ring
7	Washer	15	Handle		
8	Fixing plate	16	Pin two		

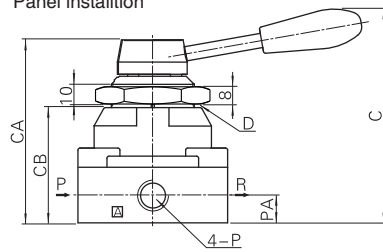
Dimensions

4HV

Body installtion



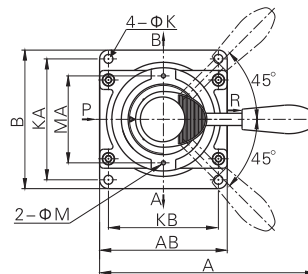
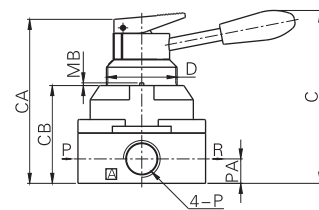
Panel installtion



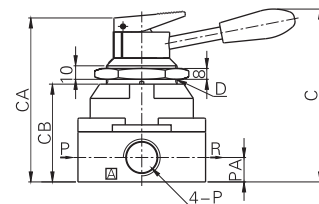
Modell/Item	A	AB	B	C	CA	CB	D	K	KA	KB	M	MA	MB	P	PA
4HV2□□-06	120	62	62	92.5	73	45	M34×1.5	5.5	49	49	3	40	1.5	PT1/8	11.5
4HV2□□-08	120	62	62	92.5	73	45	M34×1.5	5.5	49	49	3	40	1.5	PT1/4	11.5
4HV3□□-08	140	74	74	104	88.5	56	M40×1.5	6.5	62	62	3	51	1.5	PT1/4	13.5
4HV3□□-10	140	74	74	104	88.5	56	M40×1.5	6.5	62	62	3	51	1.5	PT3/8	13.5
4HV4□□-15	160	94	102	128	110	72	M52×1.5	6.5	89	81	3	64	2	PT1/2	18
4HV4□□-20	160	94	102	128	110	72	M52×1.5	6.5	89	81	3	64	2	PT3/4	18

4HVL

Body installtion



Panel installtion



Modell/Item	A	AB	B	C	CA	CB	D	K	KA	KB	M	MA	MB	P	PA
4HV2□□-06L	120	62	62	92.5	84	45	M34×1.5	5.5	49	49	3	40	1.5	PT1/8	11.5
4HV2□□-08L	120	62	62	92.5	84	45	M34×1.5	5.5	49	49	3	40	1.5	PT1/4	11.5
4HV3□□-08L	140	74	74	104	99	56	M40×1.5	6.5	62	62	3	51	1.5	PT1/4	13.5
4HV3□□-10L	140	74	74	104	99	56	M40×1.5	6.5	62	62	3	51	1.5	PT3/8	13.5
4HV4□□-15L	160	94	102	128	121	72	M52×1.5	6.5	89	81	3	64	2	PT1/2	18
4HV4□□-20L	160	94	102	128	121	72	M52×1.5	6.5	89	81	3	64	2	PT3/4	18