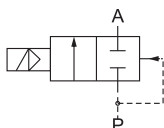




Specifications

Model	KL5231008	KL5231010	KL5231015	KL5231020	KL5231025
Orifice size(mm)	13			25	
Port connection	G1/4"	G3/8"	G1/2"	G3/4"	G1"
Operating pressure	0.3~5.0MPa			0.3~3.5MPa	
Ambient temperature	-20~55℃				
Medium temperature	0~180℃				
Kv value(m³/h)	3.6			11	
Power consumption	AC(VA)			14	
	DC(W)			8	
Frequency(Hz)	≥1			≥0.5	
Power, Voltage	AC: 50Hz 24V, 36V, 110V, 220V DC: 24V, 12V				

Symbol



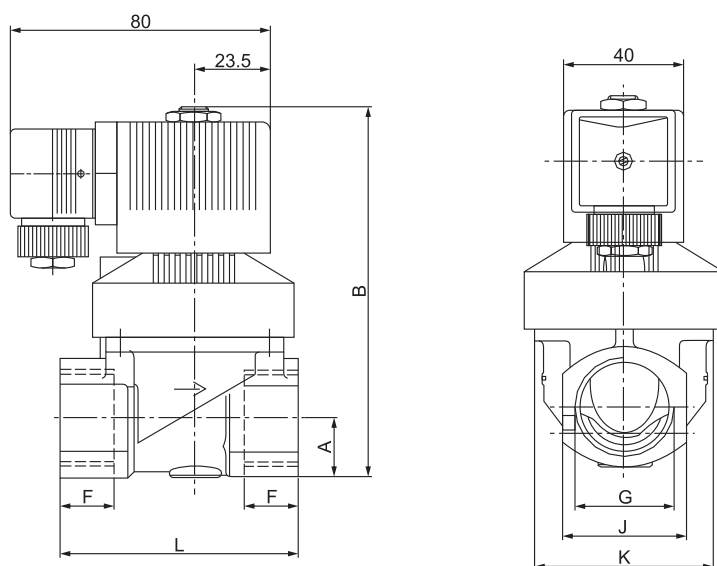
Ordering code

KL523		10	Z	AC220V	
Model	Port size	Coil form		Standard voltage	
KL223	2/2 Way solenoid valve	08 G1/4"	Z	EX-proof	DC12V
		10 G3/8"	NO	Normal open	DC24V
		15 G1/2"	Blank	Normal close	AC24V 50Hz/60Hz
		20 G3/4"			AC110V 50Hz/60Hz
		25 G1"			AC220V 50Hz/60Hz
					AC380V 50Hz/60Hz

Product feature

- Media temperature up to 180℃.
- Operating pressure up to 5MPa.
- Idea for fluid media with kinematic viscosity $\leq 1\text{mm}^2/\text{s}$, including water, gases, acetylene, liquefied gas.
- Coil: Encapsulation with thermoset plastics.
Electric connector with IP65,
Ambient temperature: -20~55℃.
- Piston type structure, smooth starting, high reliability.

Dimensions



Model	G	F	H	K	L	E	B	A
KL5231008	G1/4"	12	40	34	65	24	97	16
KL5231010	G3/8"	12	40	34	65	24	97	16
KL5231015	G1/2"	12	40	34	65	24	97	16
KL5231020	G3/4"	16	40	60	92	45	124	20
KL5231025	G1"	18	40	60	92	45	124	20