



### Product explain

Manually control valve: manually controlled reversal valve used for direct control of air source signal or driving executive elements. The valve can be operated and controlled by button, hand-push, pedal and manual. It is convenient and sensitive in operation. Especially the emergency stop valve with short reversing stroke is often used in emergency operation of pneumatic units.

Machine control valve: mechanically controlled reversal valve, which will auto reset and the signal eliminated when the outside force is released. The control by outside force is realized by means of ejector rod, ejector rod roller and lever roller etc.

### Ordering code

XQ		25		06		20	
Model		Valve type		Port size		Control type	
XQ	Machine-control, hand-control valve	25	Two-position five-way	04	G1/8(4mm)	10	Ejector rod type machine-control valve
		23	Two-position three-way	06	G1/4(6mm)	11	Ejector rod roller type machine-control valve
						12	Lever roller type machine-control valve
						13	Can pass lever roller type machine-control valve
						20	Button valve
						20.1	Twinkling stop valve
						21	Hand-push valve
						22	Hand-draw valve

### Specification

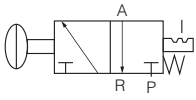
Model	XQ2304□□	XQ2504□□	XQ2306□□	XQ2506□□
Working medium	40 Micron filtered air			
Position and way no.	Two position three-way	Three position five-way	Two position three-way	Three position five-way
Joint pipe bore	Air inlet=Air outlet=PT1 8		Air inlet=Air outlet=PT1 4	
Effective sectional area	14mm <sup>2</sup> (CV ≈0.78)		25mm <sup>2</sup> (CV ≈1.39)	
The use of pressure	0~8.0Kgf/cm <sup>2</sup>			
Ensured pressure resistance	12.0Kgf/cm <sup>2</sup>			
Operating temperature range	-5~60℃			

### Use explain

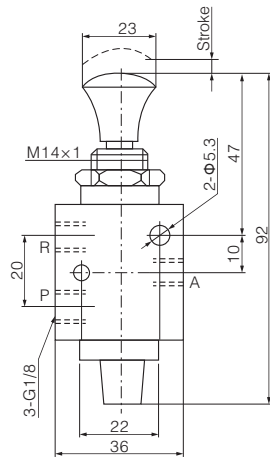
1. Check if the elements are damaged during transportation before use and installation.
2. Pay attention to the airflow during installation, For mechanically controlled valve, please attend to the conformity between striker and valve stroke.
3. When connecting with metal pipe, first remove the foreign matters such as metal bits inside the pipe.

## Dimensions

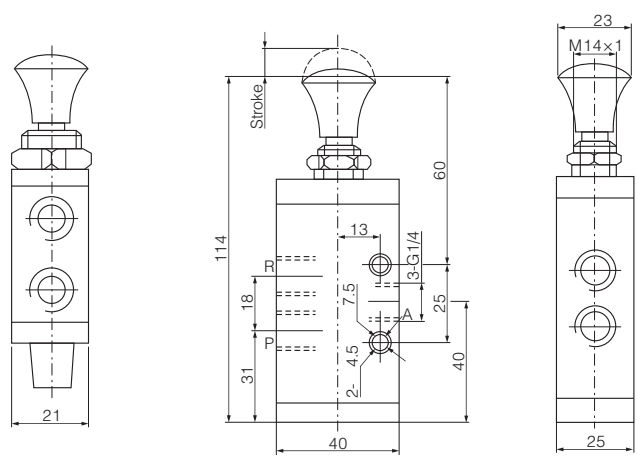
**XQ230022**



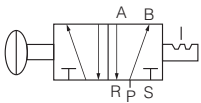
**XQ230422**



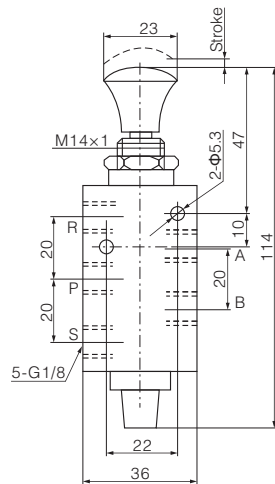
**XQ230622**



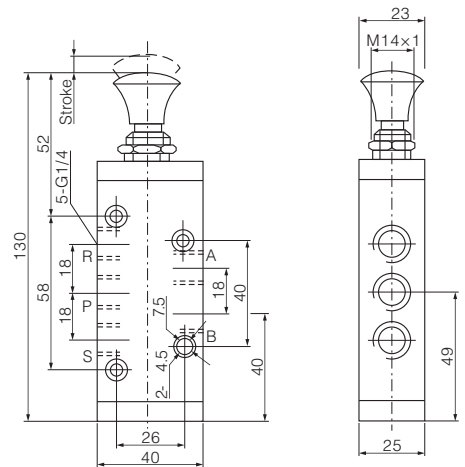
**XQ250022**



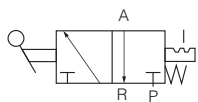
**XQ250422**



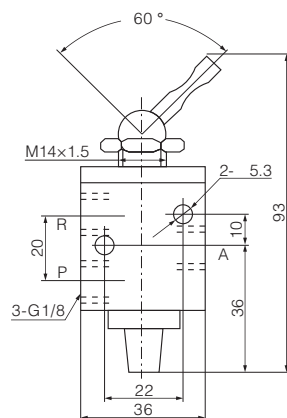
**XQ250622**



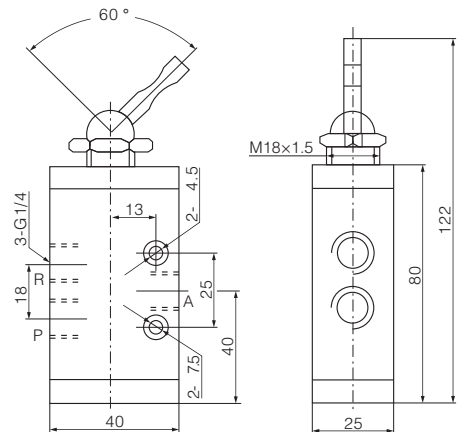
**XQ230021**



**XQ230421**

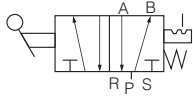


**XQ230621**

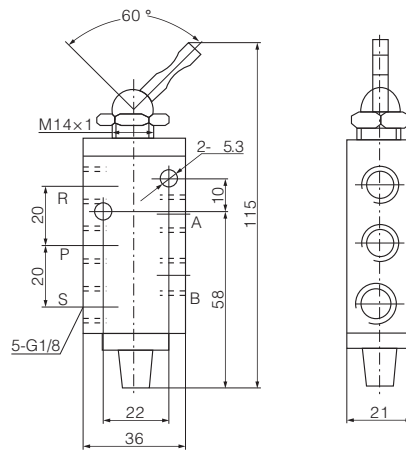


### Dimensions

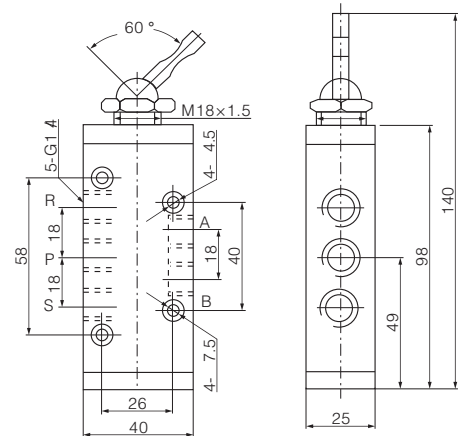
**XQ250021**



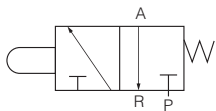
**XQ250421**



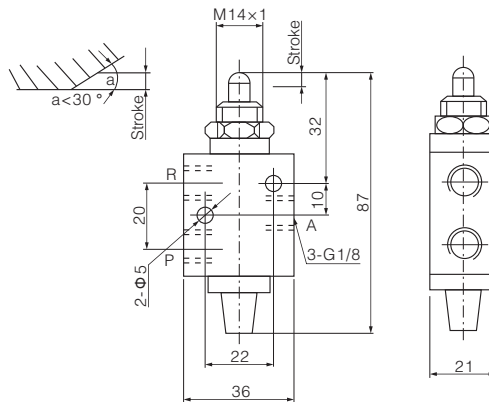
**XQ250621**



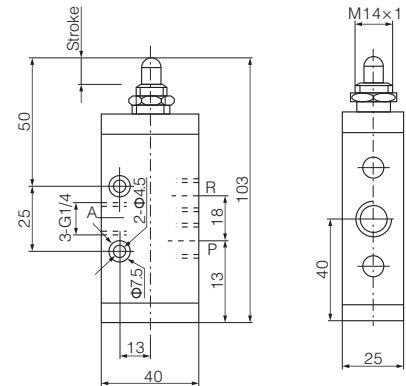
**XQ230010**



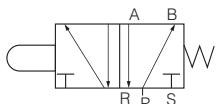
**XQ230410**



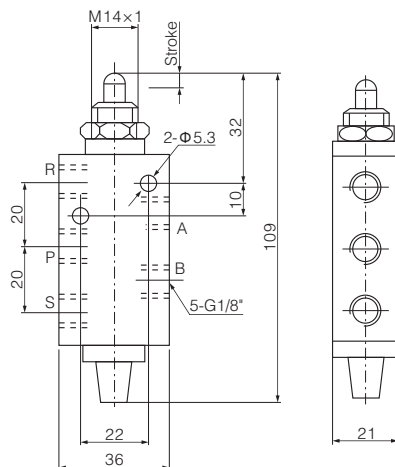
**XQ230610**



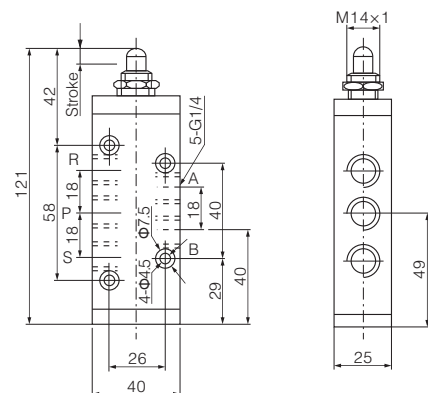
**XQ250010**



**XQ250410**

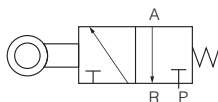


**XQ250610**

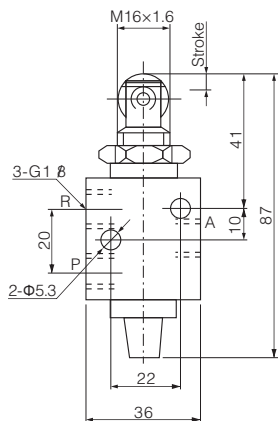


### Dimensions

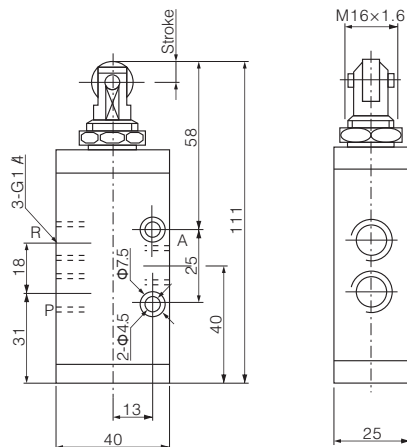
**XQ230011**



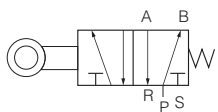
**XQ230411**



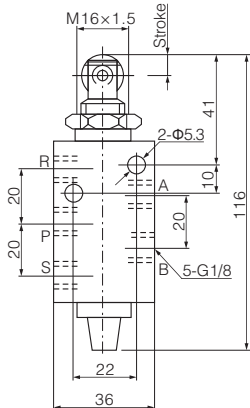
**XQ230611**



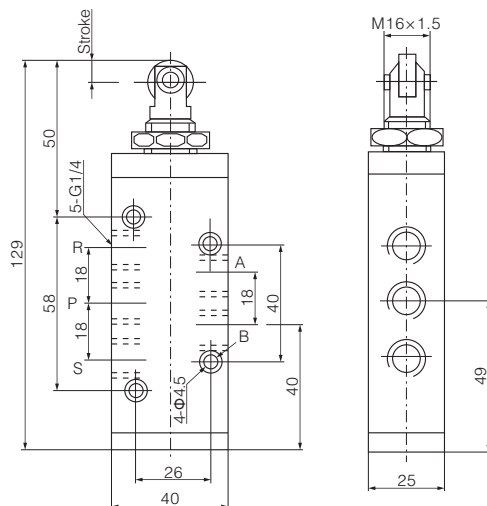
**XQ250011**



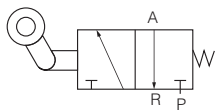
**XQ250411**



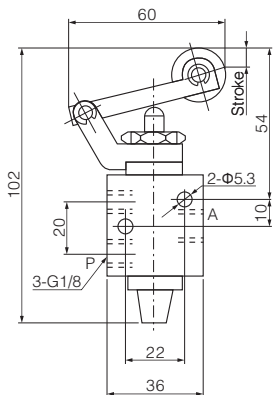
**XQ250611**



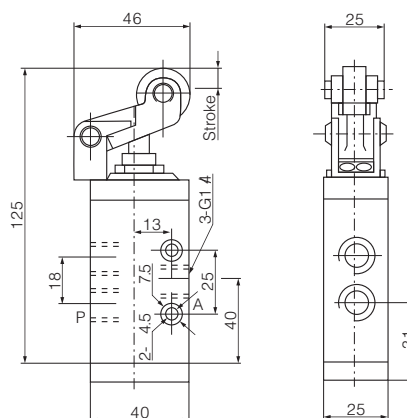
**XQ230012**



**XQ230412**

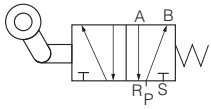


**XQ230612**

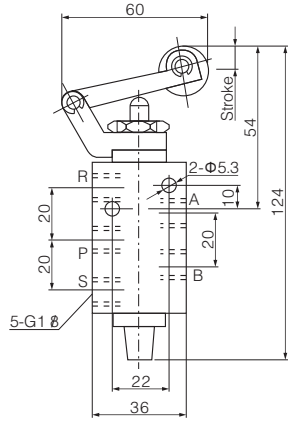


### Dimensions

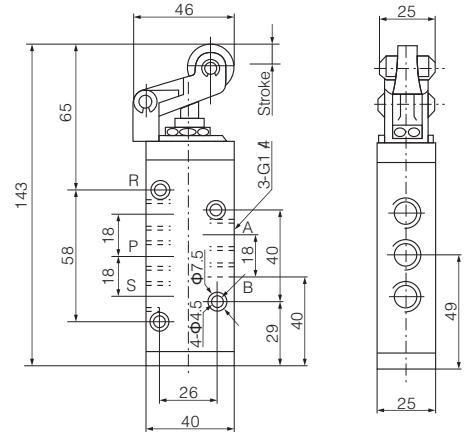
**XQ250012**



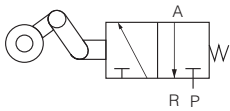
**XQ250412**



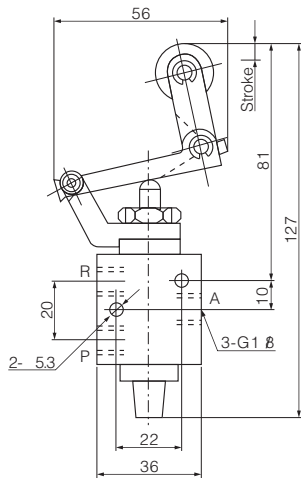
**XQ250612**



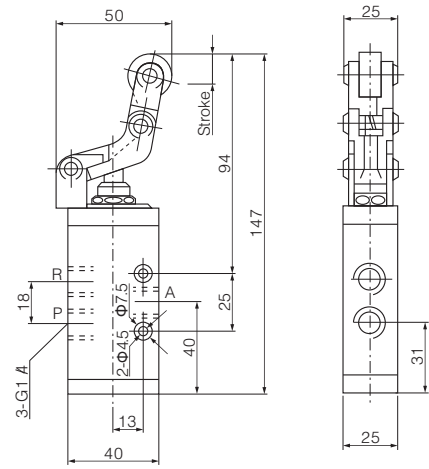
**XQ230013**



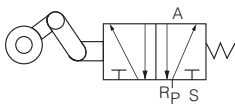
**XQ230413**



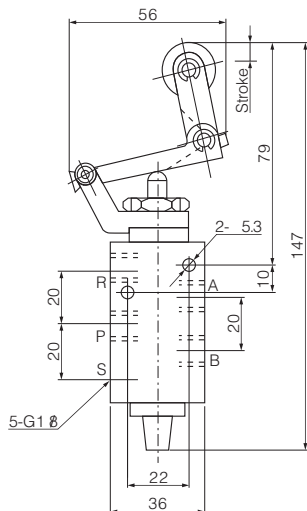
**XQ230613**



**XQ250013**



**XQ250413**



**XQ250613**

