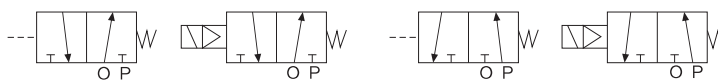


Symbol



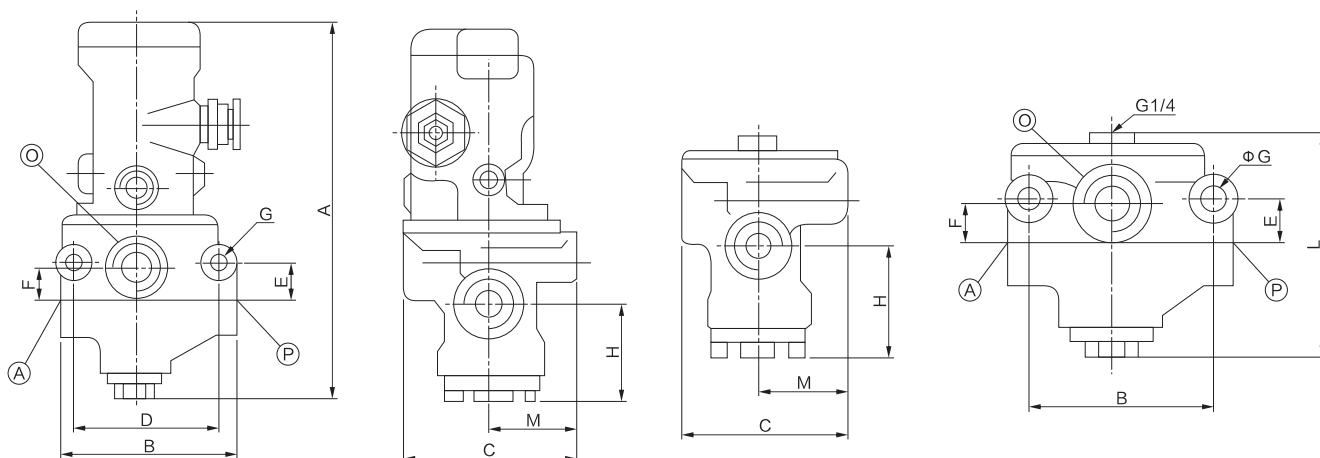
Ordering code

K23J	D	8	T	W
Model		Port size	Initial state	
K23J	Two position three way cut-off type reversing valve	8 G1/4"	Blank	Normal close
		10 G3/8"	T	Normal open
		15 G1/2"		
Control mode		20 G3/4"		
D	Single electronic control	25 G1"		
		32 G1 1/4"		
		40 G1 1/2"		

Specifications

Model	K23J-8W	K23J-10W	K23J-15W	K23J-20W	K23J-25W	K23J-32W	K23J-40W
Nominal diameter (mm)	8	10	15	20	25	32	40
Circulation capacity S value (mm ³)	20	35	60	120	190	300	400
Working pressure range	0.2~0.8MPa						
Commutation time (s)	≤0.04		≤0.06		≤0.10		≤0.15
Commutation frequency (Hz)	≥10		≥8		≥4		≥3
Amount of leakage (cm ³ /min)	≤50		≤100		≤200		≤300
Supply voltage	AC: 380V, 220V, 110V, 36V; DC: 220V, 110V, 24V						
Ambient temperature	-5~50℃						

Dimensions



Model	Nominal diameter (mm)	Port size	A	B	C	D	E	F	ΦG	H	M	L	O
K23JD-8W, K23JD-8TW	Φ8	G1/4"	180	96	78	73	17	16.5	9	45	39	85	G1/2"
K23JD-10W, K23JD-10TW	Φ10	G3/8"											
K23JD-15W, K23JD-15W	Φ15	G1/2"											
K23JD-20W, K23JD-20TW	Φ20	G3/4"	195	113	89	82	24	21	9	52	38	105	G1"
K23JD-25W, K23JD-25TW	Φ25	G1"											
K23JD-32W, K23JD-32TW	Φ32	G1 1/4"	240	165	121	118	37	46	13	75	46	170	G1 1/2"
K23JD-40W, K23JD-40TW	Φ40	G1 1/2"											