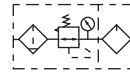


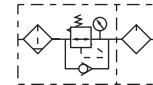


### Symbol

No reflux valve is attached



Reflux valve is attached



### Product feature

1. Embedded square pressure gauge is used to save installation space. (External circular pressure gauge is also optional).
2. The pressed-in self-locking mechanism can prevent the abnormal movement of the set pressure caused by external interfere.
3. Balanced design is adopted for the pressure adjustment mechanism.
4. In addition to standard type, lower pressure type is optional(The highest adjustable pressure is 0.4MPa).
5. Unique diversion structure spins the air flowing through to effectively separate the liquid from the air and reliably filter the solid grain.
6. The filtering grade includes 5μm and 40μm (optional).
7. Three drain types are available: manual drain, semi-auto drain and automatic drain.
8. The bracket can be selected for installation.

### Ordering code

<b>GFR200</b>		<b>08</b>	<b>M</b>	<b>L</b>		<b>F 1</b>	<b>W</b>	<b>G</b>	<b>K</b>
<b>Model</b>		<b>Type code</b>		<b>Pressure gauge</b>		<b>Filtering grade</b>		<b>Thread type</b>	
GFR200	G200 Series filter-regulator	Blank	Standard	Blank	Pressure gauge	Blank	40μm	Blank	PT
GFR300	G300 Series filter-regulator	L	Lower pressure ①	N	No Pressure gauge	W	5μm	T	T: NPT
GFR400	G400 Series filter-regulator	<b>Accessories</b>		<b>Pressure gauge shape</b>		<b>Code of reflux valve</b>			
GFR600	G600 Series filter-regulator	Blank	Bracket	F	Square	Blank	No reverse flow valve is attached		
<b>Port size</b>		J	No bracket	C	Circular	1	MPa	K	Reverse flow valve is attached
GFR200	06: 1/8" 08: 1/4"	<b>Drain type</b>		<b>Scale</b>		2	psi		
GFR300	08: 1/4" 10: 3/8" 15: 1/2"	Drain type	Adaptable product's series	1	MPa				
GFR400	10: 3/8" 15: 1/2"	Blank: Semi-auto drain	GFR200, GFR300	2	psi				
GFR600	20: 3/4" 25: 1"	M: Manual drain	GFR400, GFR600	3	bar				
		A: Automatic drain	GFR300, GFR400, GFR600						

① The maximum work pressure of lower pressure type is 0.4MPa(58Psi).

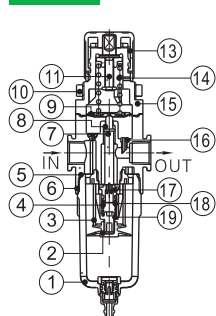
### Specification

Model	GFR200-06	GFR200-08	GFR300-08	GFR300-10	GFR300-15	GFR400-10	GFR400-15	GFR600-20	GFR600-25
Fluid	Air								
Port size	PT1/8	PT1/4	PT1/4	PT3/8	PT1/2	PT3/8	PT1/2	PT3/4	PT1
Filtering grade	40μm or 5μm								
Pressure range	Semi-auto and automatic drain:0.15~0.9MPa(20~130psi); Manual drain: 0.05~0.9MPa(7~130psi)								
Max. pressure	1.0MPa(145psi)								
Proof pressure	1.5MPa(215psi)								
Temperature range	-5~70°C								
Capacity of drain bowl	10CC		40CC			80CC		230CC	
Weight	220g		500g			1030g		2400g	

① PT thread, G thread and NPT thread are available.

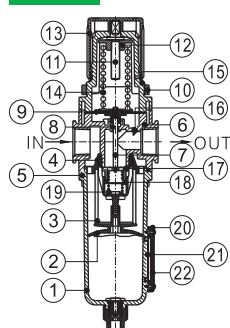
### Inner structure and material of major parts

#### GFR200



Semi-Auto drain

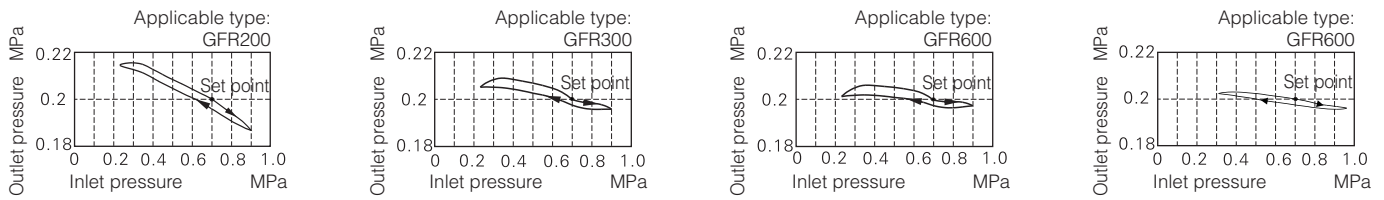
#### GFR600



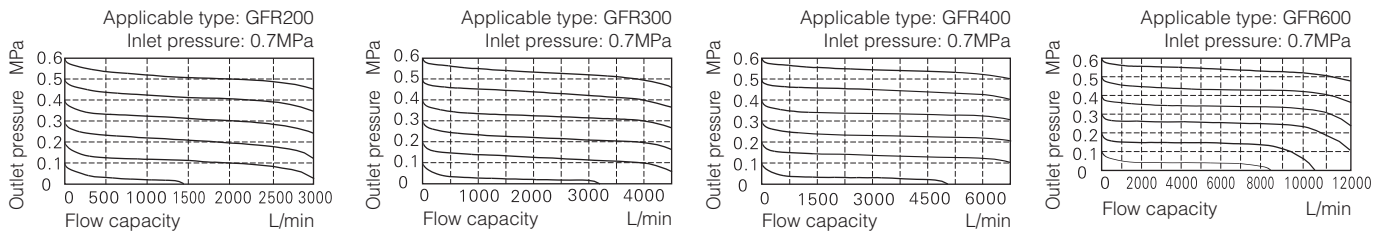
Semi-Auto drain

No.	Item	Material	No.	Item	Material
1	Drain bowl	Aluminum alloy(GFR600)PC(others)	11	Adjusting spindle	Steel
2	Umbrella baffle	High viscosity POM	12	Regulator nut	Steel
3	Filter core	GFR600	13	Pressure knob	POM
		40μm	14	Spring	SWC
		5μm	15	Adjusting seat	Aluminum alloy (GFR600)POM(others)
4	Air guider	High viscosity POM	16	Feedback tube	POM
5	O-ring	NBR	17	Adjusting plug	Brass & Rubber
6	Body of filter-regulator	Aluminum alloy	18	O-ring	NBR
7	Adjusting spool	Brass(GFR600)POM(others)	19	Spring	SUS304
8	O-ring	NBR	20	Liquid meter cover	SPCC
9	Diaphragm	SUS304 & Rubber	21	Liquid meter seal	VITON
10	Fixation ring cap	Aluminum alloy(GFR600)POM(others)	22	Liquid meter inside	PC

### Pressure chart

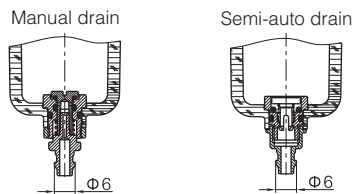


### Flow chart



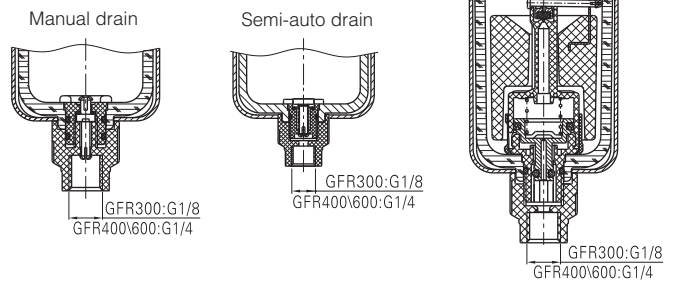
### Selection of drain mode

#### GFR200



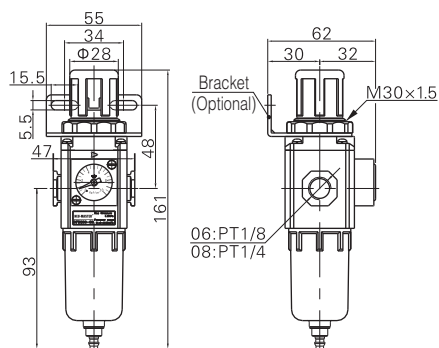
PU tube with an inner diameter of  $\Phi 5$  or  $\Phi 5.5$ mm is recommended

#### GFR200\GFR400\GFR600

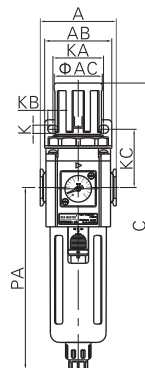


### Dimensions

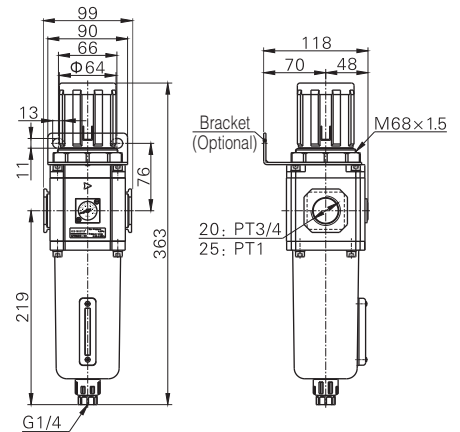
#### GFR200



#### GFR300\GFR400



#### GFR600



Model\Item	A	AB	AC	B	BA	BC	C	D	K	KA	KB	KC	P	PA	Q
GFR300-08	60	53	38	72	41	31	225.5	M40×1.5	6.5	40	8	46	PT1/4	143	G1/8
GFR300-10	60	53	38	72	41	31	225.5	M40×1.5	6.5	40	8	46	PT3/8	143	G1/8
GFR300-15	60	53	38	72	41	31	225.5	M40×1.5	6.5	40	8	46	PT1/2	143	G1/8
GFR400-10	80	72	52	90	50	40	270.5	M55×2.0	8.5	52	11	53	PT3/8	166.5	G1/4
GFR400-15	80	72	52	90	50	40	270.5	M55×2.0	8.5	52	11	53	PT1/2	166.5	G1/4

### Regulating way

The use of GFR series regulators is the same as the SDR series.