

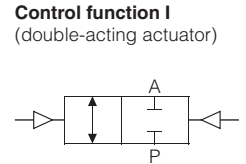
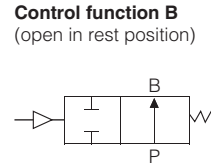
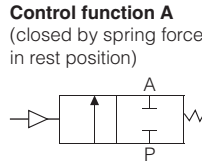


Product feature

2/2-way Angle-Seat Valve
Pneumatically Operated,
for medium up to +180°C,
Polished Actuator
port connection DN 15-65

1. High flow rate;
2. Long life cycle;
3. NC and NO universal actuators with modular universal accessory program up to control heads;
4. Deliverable with flow direction below or above seat
5. Simple conversion of the circuit function.

Symbol



Ordering code

PV700		S	015	
Model			Nominal diameter	
PV700	700 Seires angle seat valve		15	G 1/2" 40 G 1 1/2"
			20	G 3/4" 50 G 2"
			25	G 1" 65 G 2 1/2"
			32	G 1 1/4"
Actuator material code				
	S S.S. Actuator			

NC	
Control function	
NO	Normally open
NC	Normally closed (standard)

Body material	
Blank	S.S 304 (standard)
4	S.S 316
5	S.S 316L

Acting type	
S	Single acting
D	Double acting

Actuator size

Port size	Standard actuator size (mm)
	S.S.
DN10	40,50
DN15	40,50
DN20	50,63,80
DN25	50,63,90
DN32	63,80
DN40	63,80
DN50	63,80
DN65	90,100

PV700 Series plunger pilot angle seat valve is propelled by a piston actuator, either single acting or double acting.

The actuator is one punch formed with stainless steel plate, surface polished, thus more appealing, applicable to different working temperature:

2/2 Way stainless steel valve with big flow capacity V type seals ensure reliable and effective sealing.

Maintenance free, compatible with various accessories, Direction indicating, stroke limiting or manual switching can be achieved conveniently.

PV800 Series Angle Seat Valve(Piston Valve/Y-type Compact Valve)

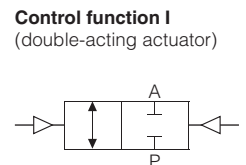
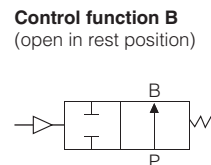
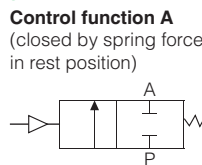


Product feature

2/2-way Angle-Seat Valve
Pneumatically Operated, for
medium up to +150°C, threaded
port connection DN 15-50

1. Classic design, Long life cycle;
2. NC and NO is optional;
3. Structure in coaxial stop, leakage proof and high flow rate;
4. Saving energy.

Symbol



Ordering code

PV800		A	015	
Model			Nominal diameter	
PV800	800 Seires angle seat valve		15	G 1/2" 32 G 1 1/4"
			20	G 3/4" 40 G 1 1/2"
			25	G 1" 50 G 2"
Actuator & stem material code				
	S S.S.			
	A Aluminium			

NC	
Control function	
NO	Normally open
NC	Normally closed(standard)
NA	Liberty stabe

S	
Acting type	
S	Single acting
D	Double acting(standard)

H	
Sealing Require	
H	High temprature
Blank	Normal(standard)

Construction

Seal material: PTFE(NBR, FKM and EPDM on request)
Liquid and gaseous media that do not attack the housing
and seal materials

Media

Control medium: Air

Temperature range

Medium temperature: -10 to 80°C with NBR seal; -10 to 150°C (PTFE, FKM)
Ambient temperature: -10 to 60°C
Standard Version: Aluminium actuator, S.S actuator on require

Applications

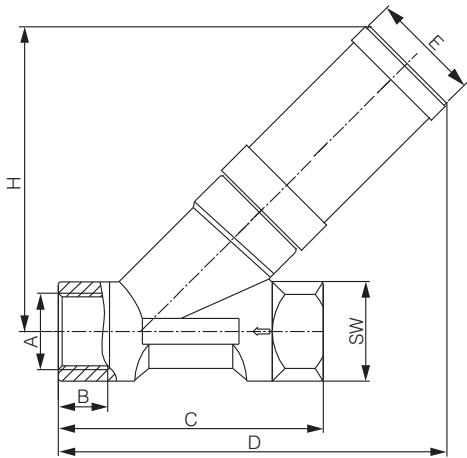
Food, packaging, petrochemical, metallurgican, spraying, vehicles, printing
and dyeing machinery etc.

Specifications

Model Specification	Normally Closed	P015NC	P020NC	P025NC	P032NC	P040NC	P050NC
	Normally Open	P015NO	P020NO	P025NO	P032NO	P040NO	P050NO
Material of body	S.S304/316/316L for body, Aluminium for stem and actuator, S.S is optional.						
Operating method	Plunger pilot						
Ambient and fluid	Air, Water, Oil, Liquefied gas, Free-running viscosity liquid						
Port size	G1/2"	G3/4"	G1"	G1 1/4"	G1 1/2"	G2"	
Nominal diameter (mm)	13	16	22	32	35	45	
Kv (m ³ /h)	4	5	10	20	33	42	
Pressure range (Mpa)	0~0.8	0~0.8	0~0.8	0~0.8	0~0.8	0~0.8	
Min. control pressure (Mpa)	0.30	0.30	0.32	0.30	0.35	0.32	
Medium temp.	NBR for -10~80°C and EPDM, VITON for -10~150°C						

Dimensions

PV800A Series



Port size	DN(mm)	Actuator(mm)	A	B	C	D	E	H	SW
1/2"	DN15	25	G1/2"	14	76	109	30	98	27
3/4"	DN20	32	G3/4"	16	92	115	37	100	32
1"	DN25	32	G1"	21	103	127	37	104	40
1-1/4"	DN32	40	G1-1/4"	19	112	168	45	160	50
1-1/2"	DN40	50	G1-1/2"	21	129	129	55	160	56
2"	DN50	63	G2"	27	143	143	68	160	68

PV1527 Series Angle Seat Valve(Piston Valve/27mm Actuator)



PV1527-A

PV1527-B

Product feature

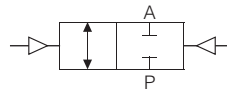
2/2-way Angle-Seat Valve
Pneumatically Operated, for medium up to +120°C, Stainless steel Actuator Dia 27mm female threaded port Connection, DN15

1. Design compact style 2/2-way stainless steel valve;
2. Movable seat & V type seals ensure reliable and effective performance;
3. Valve in Y type installation and horizontal installation is optional;
4. Double acting NC and double acting liberty is optional.

Symbol

Control function I

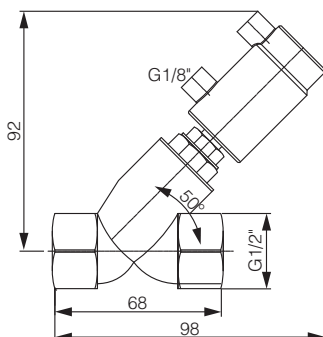
(double-acting actuator)



Dimensions

Y-type filling valve

PV1527-A



filling valve (Horizontal installation)

PV1527-B

