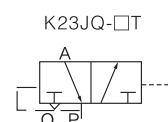
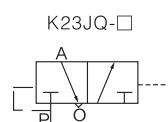
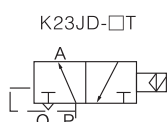
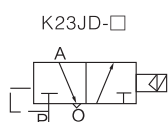


### Symbol



### Product feature

Product structure as cut-off type, Strong dust resistance.

### Ordering code

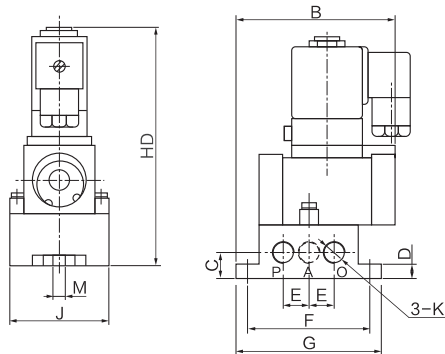
K23J Model		D Control mode		8 Port size		T Initial state	
K23J	Two position three way cut-off type reversing valve	D <sub>2</sub>	Double electronic control	6	G1/8"(M10×1)	Blank	Normal close
		Q <sub>2</sub>	Double air control	8	G1/4"(M12×1.25)	T	Normal open
				10	G3/8"(M16×1.5)		
				15	G1/2"(M20×1.5)		
				20	G3/4"(M27×2)		
				25	G1"(M33×2)		
				32	G1 1/4"(M42×2)		
				40	G1 1/2"(M48×2)		
				50	G2"(M60×2)		

### Specifications

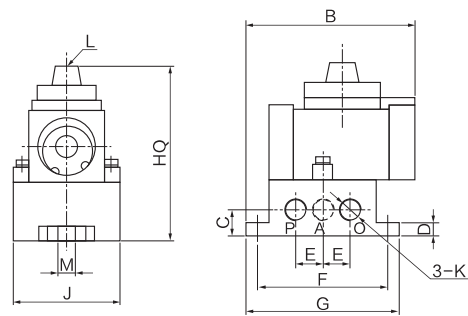
Model	K23JD-6 K23JD-6T K23JQ-6 K23JQ-6T	K23JD-8 K23JD-8T K23JQ-8 K23JQ-8T	K23JD-10 K23JD-10T K23JQ-10 K23JQ-10T	K23JD-15 K23JD-15T K23JQ-15 K23JQ-15T	K23JD-20 K23JD-20T K23JQ-20 K23JQ-20T	K23JD-25 K23JD-25T K23JQ-25 K23JQ-25T	K23JD-F32 K23JD-F32T K23JQ-F32 K23JQ-F32T	K23JD-F40 K23JD-F40T K23JQ-F40 K23JQ-F40T	K23JD-F50 K23JD-F50T K23JQ-F50 K23JQ-F50T
Nominal diameter (mm)	6	8	10	15	20	25	32	40	50
Working pressure range	0.15~0.8MPa								
Amount of leakage (cm <sup>3</sup> /min)	≤10	≤10	≤25	≤25	≤50	≤50	≤70	≤70	≤70
Commutation time (s)	≤0.04	≤0.04	≤0.06	≤0.06	≤0.1	≤0.1	≤0.15	≤0.15	≤0.2
Commutation frequency (Hz)	≥10	≥10	≥8	≥8	≥4	≥4	≥3	≥3	≥2
Ambient temperature	-10~55℃								
Medium temperature	-5~50℃								
Circulation capacity S value (mm <sup>3</sup> )	≥10	≥20	≥40	≥60	≥120	≥190	≥300	≥400	≥650
Life (1000 times)	AC: 220V, 36V DC: 48V, 24V, 12V Voltage fluctuation allowed for the rated value +10%~-15% Air control without this parameter								
Supply voltage	≥1500								

## Dimensions

### K23JD-□



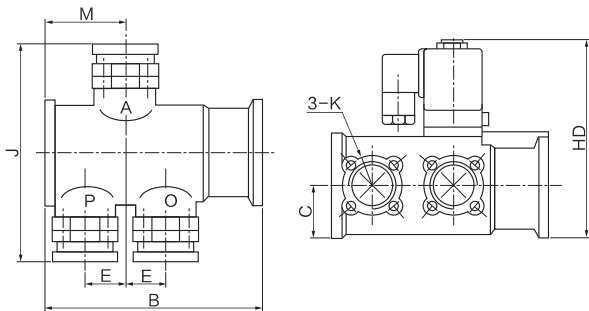
### K23JQ-□



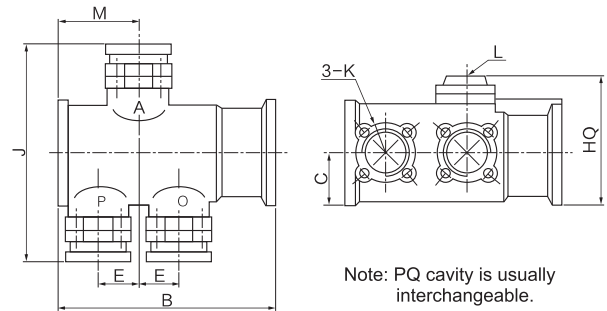
Note: PQ cavity is usually interchangeable.

Model	Port size	B	C	D	E	F	G	HD	HQ	M	J	L
K23JD-6□	G1/8"(M10×1)	90	14	7	14	68	80	134	91	7	56	G1/8
K23JQ-6□												
K23JD-8□	G1/4"(M12×1.25)	125	19	10	19	86	100	155	111	7	64	
K23JQ-8□												
K23JD-10□	G3/8"(M16×1.5)	180	30	30	30	130	162	218	149	11	100	
K23JQ-10□												
K23JD-15□	G1/2"(M20×1.5)	265	45	45	45	180	220	280	180	15	130	
K23JQ-15□												
K23JD-20□	G3/4"(M27×2)	330	60	60	60	220	270	350	230	20	160	
K23JQ-20□												
K23JD-25□	G1"(M33×2)	400	75	75	75	270	330	430	280	25	190	
K23JQ-25□												

### K23JD-□



### K23JQ-□



Note: PQ cavity is usually interchangeable.

Model	Port size	B	C	E	HD	HQ	J	L	M
K23JD-F32□	G1¼"(M42×2)	215	52.5	40	197	130.5	218	G1/8	80
K23JQ-F32□									
K23JD-F40□	G1½"(M48×2)	215	52.5	40	197	130.5	218		80
K23JQ-F40□									
K23JD-F50□	G2"(M60×2)	265	65	45	222	155	258	101	
K23JQ-F50□									