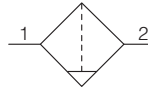


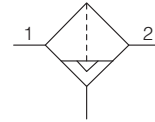


Symbol

Manual rotary condensate drain



Semi or fully automatic condensate drain



Installation and use

The OF with water separator cleans the compressed air of fluid oil, condensation and dirt particles, for special application, the standard 40µm filter element may easily be replaced by a 5µm filter element.

Ordering code

OF	<input type="checkbox"/>	5M	MINI	H	E
Series	Port size	Grade of Filtration	Size	Condensate drain	Shell material
OF Filter	G1/8"	Blank 40µm	MINI	Blank Turned manually	Blank Zinc
	G1/4"	5M 5µm	MIDI	H Semi-automatic	E Alu.
	G3/8"		MAXI	A Fully automatic	
	G1/2"				
	G3/4"				
	G1"				

Specification

Size	Micro					Mini			Midi				Maxi			
Pneumatic connection	M5	M7	G1/8	QS4	QS6	G1/8	G1/4	G3/8	G1/4	G3/8	G1/2	G3/4	G1/2	G3/4	G1	
Operating medium	Compressed air															
Design	Sintered filter with centrifugal separation															
Type of mounting	Via accessories															
Assembly position	In-line installation															
Grade of filtration (µm)	5					5(or)40										
Max. condensate volume (cm ³)	3					22			43				80			
Input pressure (bar)	Vertical ±5°															
Condensate drain	Turned manually	1...10								2...16						
	Semi-automatic	1...10								-						
	Fully automatic	-								2...12						

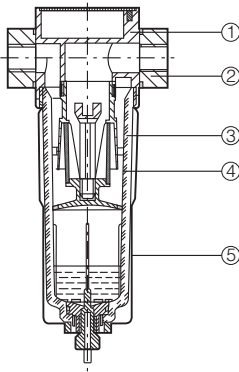
Note: This product conforms with ISO 1179-1 standard and the ISO 228-1 standard.

Standard nominal flow rate1)qnN[l/min]

Connection	Female thread			Connecting plate		
	M5	M7		G1/8	QS4	QS6
Micro						
OF	170	280		290	170	280

Note: This product conforms with ISO 1179-1 standard and the ISO 228-1 standard.

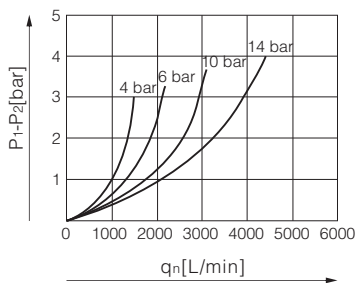
Inner structure



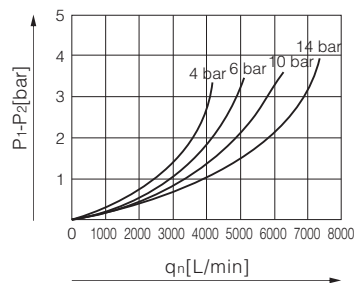
No.	Item	Material
1	Casing	Die-casting Zinc
2	Connecting Plate	Die-casting Zinc/Aluminum
3	Filter Bowl	Polycarbonate
4	Filter Element	PE
5	Metal Cover	Aluminum
	Seal	NBR

Standard Flow Rate q_n as Function of The Output Pressure p_2

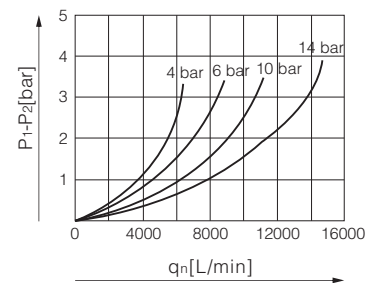
OF-1/4-MINI



OF-1/2-MIDI

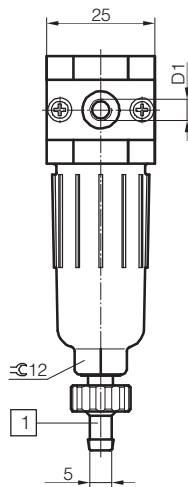
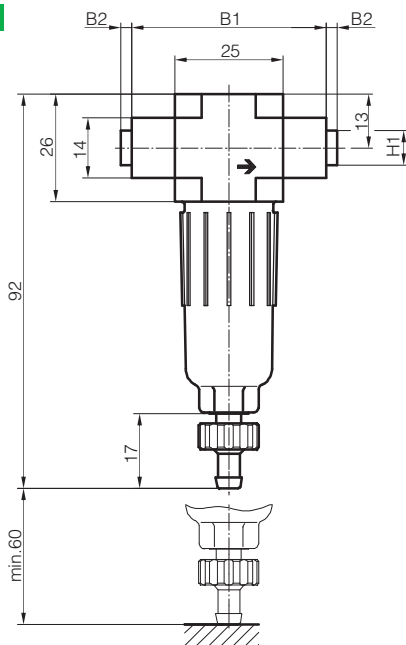


OF-1-MAXI

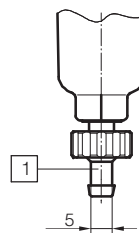


Dimensions

Micro



Turned manually
condensate drain



Semi-automatic
condensate drain

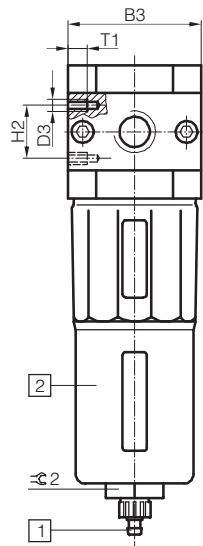
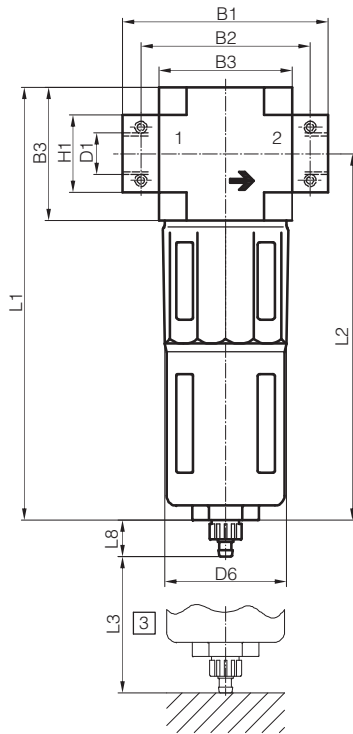
1 Barbed fitting for plastic tubing type PCN-4

➔ Flow direction

Model	B1	B2	D1	H1
OF -M5-D-5M-MICRO(H)	25	-	M5	-
OF -M7-D-5M-MICRO(H)B			M7	
OF -1/8-D-5M-MICRO(H)	45	~2.5	G1/8	~8
OF -QS4-D-5M-MICRO(H)			QS4	
OF -QS6-D-5M-MICRO(H)			QS6	

Mini/Midi/Maxi

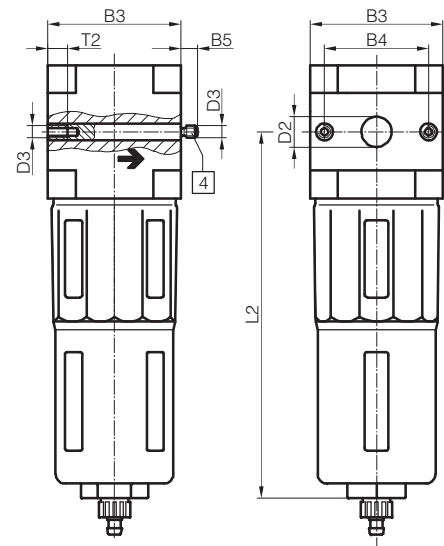
With threaded connectin plates



Turned manually
condensate drain

Semi-automatic
condensate drain

Without threaded connecting plates



1 Barbde fitting for plastic tubing type PCN-4

3 Installation dimensions

→ Flow direction

2 Metal bowl guard

4 Threaded pin (exchangeable)

Model	B1	B2	B3	B4	B5	D1	D2Φ	D3	D6Φ	H1	H2	L1	L2	L3	L8	L9	T1	≈1	≈2
Mini																			
OF-1/8-D-MINI	64	52	40	30	-	G1/8	-	M4	38	20	11	144	124	60	15	19	7	-	22
OF-1/4-D-MINI						G1/4													
OF-3/8-D-MINI	70					G3/8													
OF-D-MINI	-	-			5.8	-	11			-	-							-	10
Midi																			
OF-1/4-D-MIDI	85	70	55	43	-	G1/4	-	M5	52	32	22	179	151	80	15	19	8	-	24
OF-3/8-D-MIDI						G3/8													
OF-1/2-D-MIDI						G1/2													
OF-3/4-D-MIDI						G3/4													
OF-D-MIDI	-	-			6.8	-	24			-	-							-	11
Maxi																			
OF-1/2-D-MAXI	96	80	66	46	-	G1/2	-	M5	65	32	22	203	170	90	15	19	8	-	24
OF-3/4-D-MAXI						G3/4													
OF-1-D-MAXI	116	61				G1				40									
OF-D-MAXI	-	-			6.8	-	30			-	-							-	11

Note: This product conforms with ISO 1179-1 standard and the ISO 228-1 standard.