



Specifications

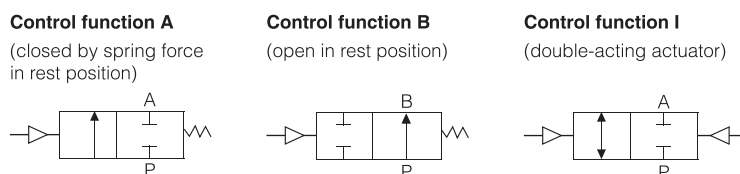
Model/Specifications	DN15	DN20	DN25
Control function	3/2-way normally closed(NC)		
Actuator material	PA Actuator /S.S. actuator /Aluminum actuator		
Valve body material	S.S304 /316 /316L		
Nominal pressure	PN16(body)		
Operating method	Plunger pilot		
Ambient and fluid	Water, alcohol, oils, fuels, hydraulic fluid, alkaline solutions, salt solution, organic solutions, hot water, steam		
Viscosity	Max.600mm ² /s		
Media temperature	-10~180°C		
Ambient temperature	PA Actuator: -10~60°C S.S. Actuator /Aluminum actuator: -10~140°C		
Installation	As required, preferably with actuator in upright position		
Control medium	Neutral gases, air		
Packing gland (With silicone grease)	PTFE V-rings with spring compensation		
Seat seal	PTFE/FPM/NBR		
Stem seal	PTFE/FPM		
Piston seal	FPM/NBR		

Product feature

3/2-way seat valve
Pneumatically operated, for medium up to +180°C,
Manifold valve type, threaded port &
Weld ends connection DN 15-25

1. For mixing or distributing mediums;
2. Controlled by a pilot valve;
3. Flow optimized body in stainless steel;
4. Long service life and maintenance-free operation.

Symbol



Ordering code

TV300	P	015	NC	S	T × 63mm
Model		Nominal diameter	Control function	Acting type	Versions(standard)
TV300		15 G1/2"	NO Normally open	S Single acting	T Threaded port
		20 G3/4"	NC Normally closed (standard)	DS Double acting	W Weld end
		25 G1"	NA Luberty		
			Body material		
			Blank S.S 304 (standard)		
			4 S.S 316		
			5 S.S 316L		

Actuator material code

P	PA Actuator
S	S.S. Actuator
A	Aluminum actuator

Actuator size

Port size	Standard actuator size (mm)		
	PA	S.S.	AL
DN15	40, 50		
DN20	40, 50		
DN25	40, 50, 63		

TV300 Series 3-way seat valve consists of a pneumatically operated actuator and a 3-way valve body. The actuator is available in three different materials, PA, aluminum and stainless steel, depending on the ambient temperature and customer requirements.

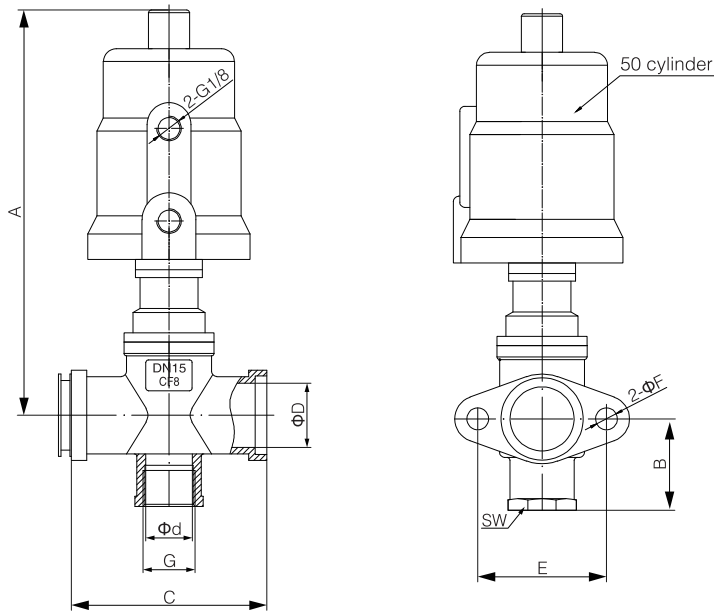
Materials available for the valve body are stainless steel 304, 316 and 316L. With our full range of compatible accessories, the mini-flange construction of the 3-way valve housing enables an unlimited number of the valves to be chained into linear groups, facilitating the neat and efficient layout of the pipeline system.

Interchanging of pressure and service ports enables different fluidic circuit functions, such as mixing or distributing of the mediums. The flow-optimized valve body of TV300 allows excellent flow rates. The tried and tested self-adjusting gland secures a high level of tightness and thus ensures reliable operation over years.

For the user, the integrated valve design guarantees the neat and orderly installation of the equipment system, as well as economical benefits.

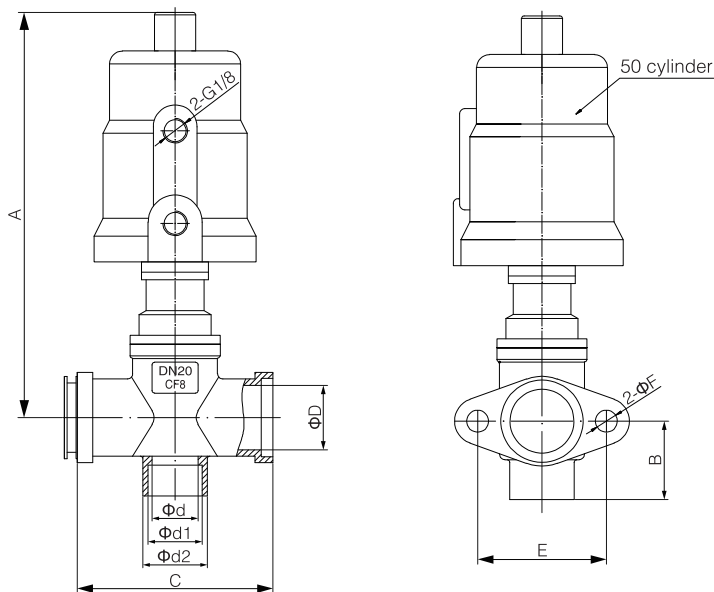
Dimensions

Threaded Port



Type	DN 15	DN 25
A	50	50
B	35	46
C	76	90
ΦD	25	32
Φd1	18	24
E	50	57
ΦF	85	8.5
G	G12"	G1"
SW	27	39

Weld Ends



Type	DN 15	DN 25
A	50	50
B	30	36
C	76	90
ΦD	25	32
Φd	18	24
Φd1	21	27
Φd2	25	32
E	50	57
ΦF	8.5	8.5