



Specifications

Model	ITV2090		ITV2091	
Minimum supply vacuum pressure	Set pressure -13.3kPa			
Maximum supply vacuum pressure	-101kPa			
Set pressure range	-1.3~-80kPa			
Power supply	Voltage	DC24V×10%	DC12~15V	
	Current consumption	Power supply voltage 24 VDC type: 0.12 A or less Power supply voltage 12~15 VDC type: 0.18 A or less		
Input signal	Current type ^{Note 1)}	4~20 mA DC, 0~20 mA DC (Sink type)		
	Voltage type	0~5 VDC, 0~10 VDC		
	Preset input	4 points (Negative common)		
Input impedance	Current type	250 Ω or less		
	Voltage type	Approx. 6.5kΩ		
	Preset input	Power 24VDC is approx. 4.7kΩ; Power 12VDC is approx. 2kΩ		
Output signal ^{Note 2)} (Monitor output)	Analog output	VDC 1~5V (Output impedance: Approx. 1kΩ) 4~20mA (Sink type) (Output impedance: 250Ω or less) Output accuracy ±6% F.S. or less		
	Switch output	NPN open collector output: Max. 30V, 80mA PNP open collector output: Max. 80mA		
Linearity	±1% F.S. or less			
Hysteresis	0.5% F.S. or less			
Repeatability	±0.5% F.S. or less			
Sensitivity	0.2% F.S. or less			
Temperature characteristics	±0.12% F.S./°C or less			
Output pressure display	Accuracy	±2% F.S. ± 1 digit or less		
	Units	kPa: Minimum display 1		
Ambient and fluid temperature	0~50°C (No condensation)			
Enclosure	IP65			

Product feature

1. A total of LED jump word display.
 2. Selectable switch output or analog output two.
 3. Connection mode can choose two types of vertical outlet or right angle outlet type.
 4. The mounting dimensions are the same as those of the IT series.
 5. Protection structure up to IP65.
- Note: please do not add gas mist to the gas supply side.

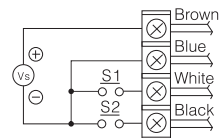
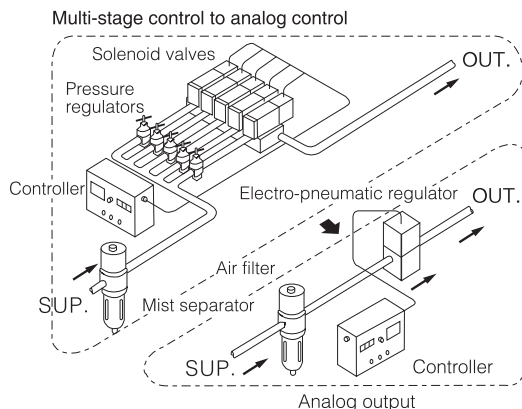
Note 1) 2 wire 4~20mA is not available, the supply voltage is DC24V or DC12~15V.

Note 2) optional analog output or switch output. If select switch output, select NPN output or PNP output.

Ordering code

ITV 209	0	0	1	2	S	5
Pressure range	Power supply voltage	Electric signal monitoring output	Thread type	Bracket *	Cable connector type	Pressure display unit
9 -1.3~-80kPa	0 DC 24V 1 DC 12~15V	*0 No (preset only) 1 DC 1~5V analog output *2 Switch output (NPN) *3 Switch output (PNP) *4 DC 4~20mA analog output *standard type	Blank Rc N NPT T NPTF F G	Blank Without bracket B Flat bracket C L-bracket * Bracket is included.	S Straight type 3m *L Right angle type 3m *standard type	4 kPa
Input signal			Port size			
0 DC 4~20mA (current type) 1 DC 0~20mA (current type) 2 DC 0~5V (voltage type) 3 DC 0~10V (voltage type) *4 4 preset inputs *standard type			2 1/4			

Application examples



Vs: Power Supply DC24V
DC12~15V

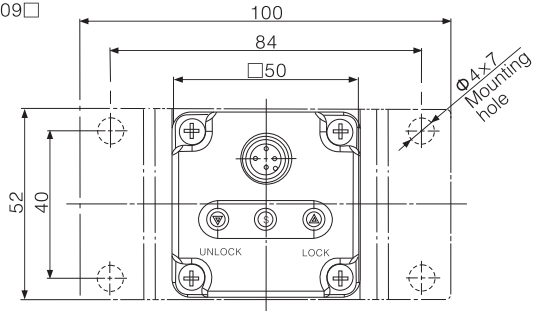
	S1	Shut	Open	Shut	Open
S2	Shut	Shut	Open	Open	Open
Preset pressure	P1	P2	P3	P4	

Note: It is recommended that one of the preset pressures is set to 0 MPa and that the control will be safer.

Dimensions

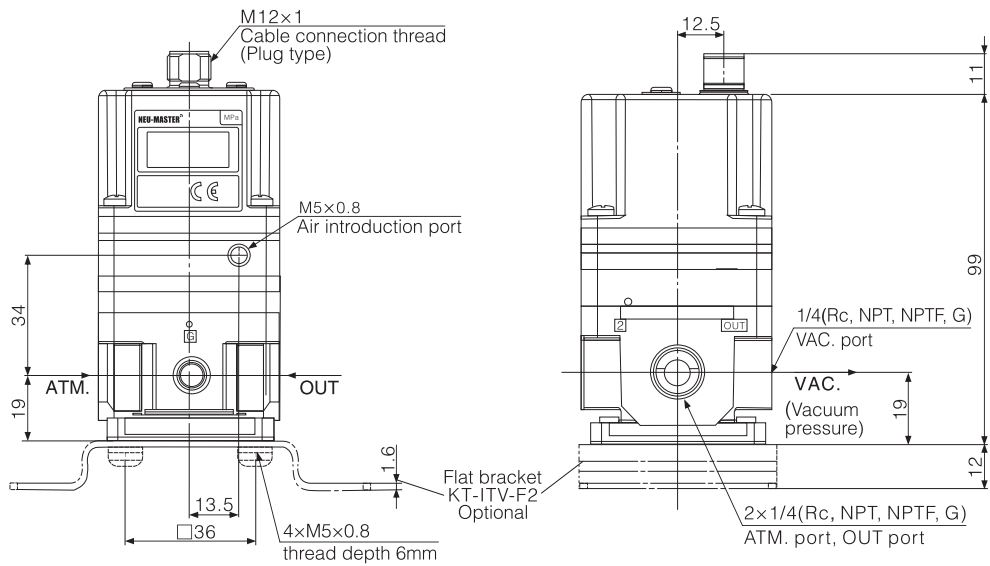
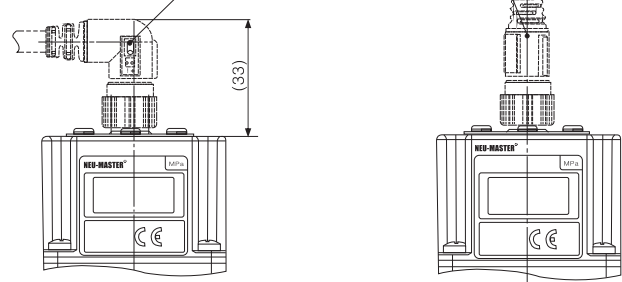
Flat bracket

ITV209□

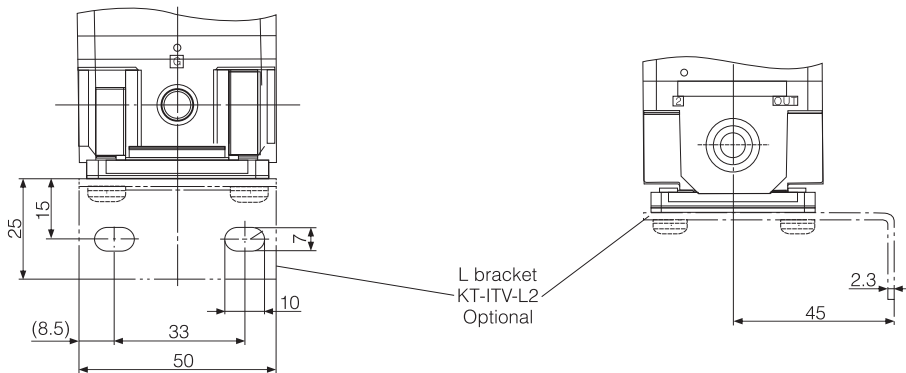


Connection head (4 lines)
Right angle outlet type

Connection head (4 lines)
Vertical outlet type



L-bracket



Accessories

Name	Model
Flat bracket	KT-ITV-F2
L bracket	KT-ITV-L2

