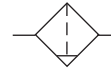




Symbol



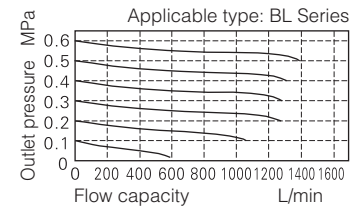
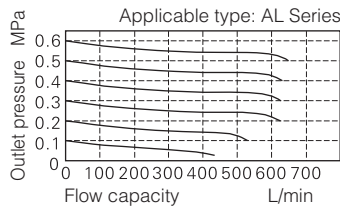
Product feature

1. The structure is delicate and compact.
2. The quantity of oil dripping can be directly observed through transparent inspection sheet.
3. BL has high-strength plastic shields, which is more safe and reliable to use.
4. The pressure loss and the flow of miststart is low.

Ordering code

| | | | | | |
|--------------|---------------------|------------------|------------|--------------------------|-----|
| AL | | 2000 | | <input type="checkbox"/> | |
| Model | | Port size | | Thread type | |
| AL | A Series lubricator | Series | Port size | Blank | PT |
| BL | B Series lubricator | AL | 1500: 1/8" | G | G |
| | | | 2000: 1/4" | T | NPT |
| | | BL | 2000: 1/4" | | |
| | | | 3000: 3/8" | | |
| | | | 4000: 1/2" | | |

Flow chart

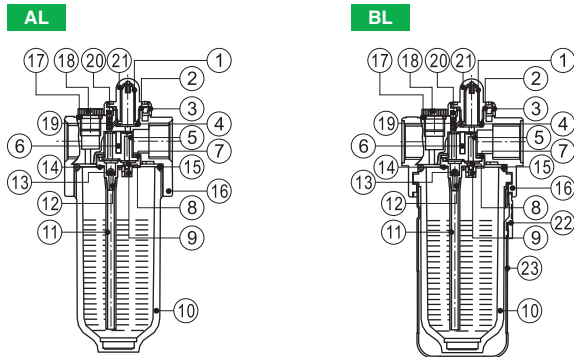


Specification

| Model | AL1500 | AL2000 | BL2000 | BL3000 | BL4000 |
|------------------------|-------------------------|--------|--------|--------|--------|
| Fluid | Air | | | | |
| Port size | PT1/8 | PT1/4 | PT1/4 | PT3/8 | PT1/2 |
| Pressure range | 0.05~1.0MPa(7~145psi) | | | | |
| Proof pressure | 1.5MPa(215psi) | | | | |
| Temperature range | -5~70°C | | | | |
| Capacity of drain bowl | 25CC | | 90CC | | |
| Recommended | ISO VG 32 or equivalent | | | | |
| Weight | 170g | | 250g | | |

① PT thread, G thread and NPT thread are available.

Inner structure and material of major parts



| No. | Item | Material | No. | Item | Material |
|-----|-----------------------|-----------------|-----|------------------------|-----------------|
| 1 | Drip pipe | PC | 13 | Ball | Stainless steel |
| 2 | Dripper O-ring | NBR | 14 | Lubricator fixed plate | SPCC |
| 3 | Oil adjusting dial | POM | 15 | Oil bowl O-ring | NBR |
| 4 | Adjusting ring | NBR | 16 | Body | Aluminum alloy |
| 5 | Lubricator seat | POM | 17 | Oil filling nut O-ring | NBR |
| 6 | Partition | PU | 18 | Oil filling plug | Steel |
| 7 | Lubricator kit gasket | NBR | 19 | Needle spring | Stainless steel |
| 8 | Adjustor | HDPE | 20 | Injector pin | Bronze |
| 9 | Return spring | Stainless steel | 21 | Check-dome | PC |
| 10 | Oil bowl | PC | 22 | Bowl guard switch | POM |
| 11 | Sunk tube | PU | 23 | Bowl guard | PA6 |
| 12 | Lubricator kit | POM | | | |

Dimensions

